

MECHAN CONTROLS

Type: RSR—110VAC

ROTATION SENSING RELAY

INSTALLATION GUIDE



CAUTION

This information is designed to help suitably qualified personnel install and operate Mechan equipment. Before using this product, read this guide thoroughly along with any relevant European and/or National standards e.g. Machinery Directive 89/392/EEC and its amendments, Provision and Use of Work Equipment Regulations. Further information can be obtained from Mechan Controls PLC

***** KEEP THIS GUIDE FOR FUTURE REFERENCE *****

CONTENTS

1 DESCRIPTION	4 CONNECTION
2 DIMENSIONS	5 TECHNICAL SPECIFICATIONS
3 MOUNTING	6 ORDERING INFORMATION

1)

The Rotation Sensing Relay (RSR) control unit together with the M18 sensor, is designed to monitor the rotation of a motor. The RSR control unit contains the power supply regulation, 1 x N/O Output contact and a monitoring circuit (X1-X2)

The control unit must be used with the M18 sensor as shown in diagram 4.

If the rotation of the motor is seized and the 'Off Delay' is elapsed, the output contact (13-14) will open.

2) LID LAYOUT / DIMENSIONS

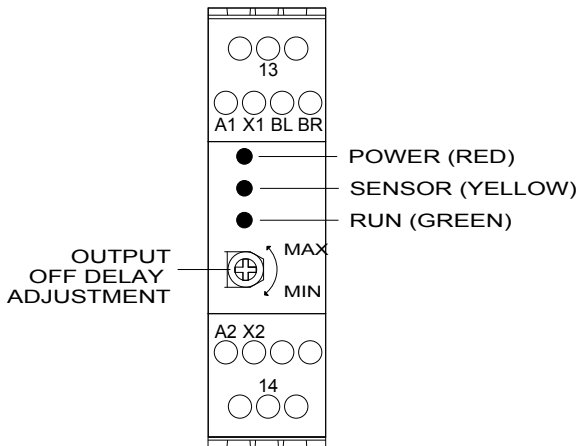


Diagram 1

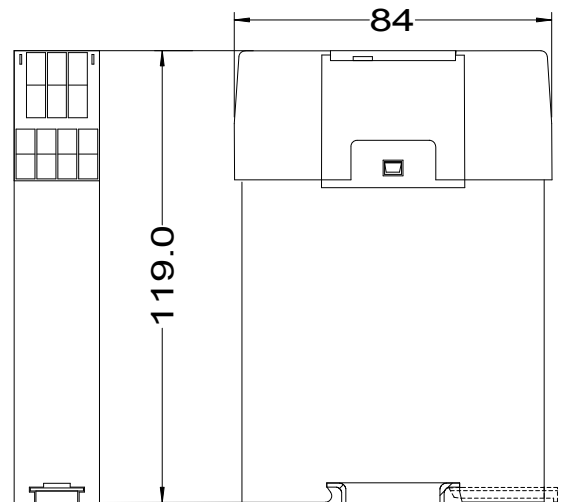


Diagram 2

3) MOUNTING

The RSR SENSOR can be mounted on the frame of the motor with the ACTUATOR(S) mounted on the shaft.

Leave a 2mm gap between the sensor and actuator to prevent damage.

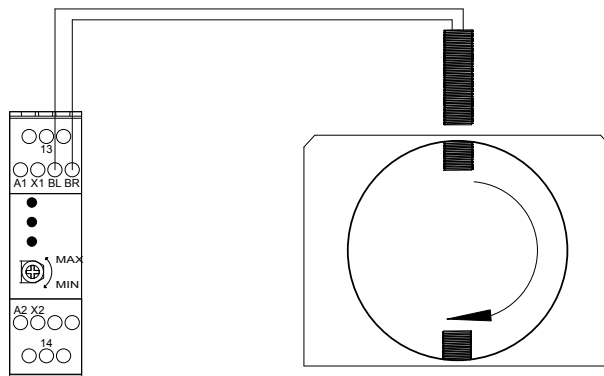


Diagram 3

Mechan Controls plc

MECHAN CONTROLS PLC, 14/16 SEDDON PLACE, STANLEY INDUSTRIAL ESTATE, SKELMERSDALE, LANCASHIRE, WN8 8EB, U.K.
TEL : + 44 (0)1695 722264 FAX : + 44 (0)1695 729664 WEB : www.mechancontrols.co.uk EMAIL : technical@mechancontrols.co.uk

4) CONNECTION

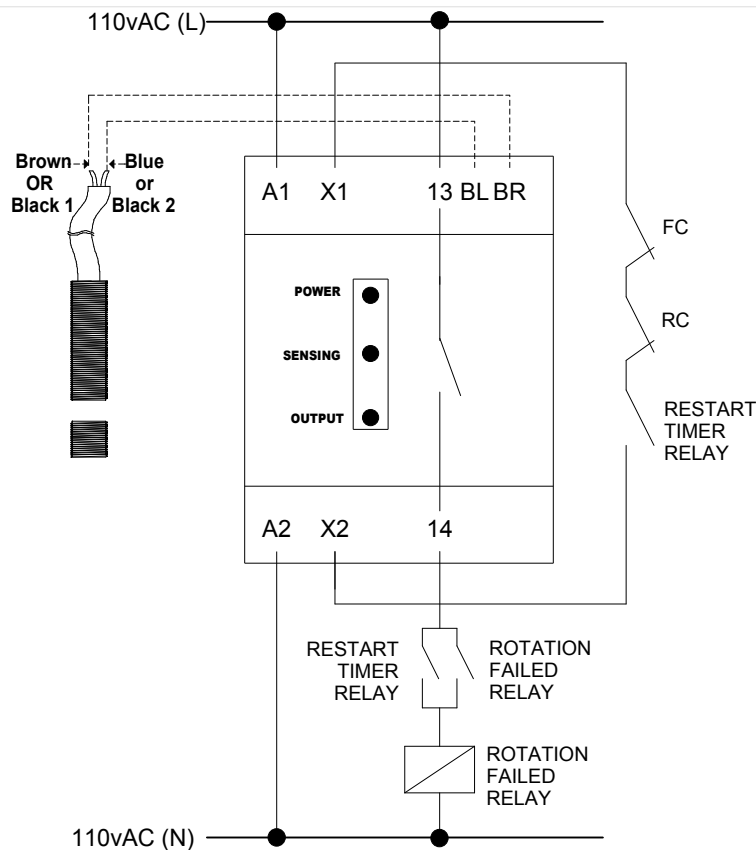


Diagram 4

5) TECHNICAL SPECIFICATIONS

ROTATION SENSOR CONTROL UNIT	
Part Number	RSR-110VAC
Supply Voltage	110VAC +/- 15%
Nominal Power	2 VA
Output Contact	1 x N/O
Output Contact Rating	3A/230VAC, 2A/24VDC
Output Contact Fuse External	4A Quick Blow
Operating Temperature	-10 to +55C
Storage Temperature	-20 to +60C
Enclosure Protection	Housing IP40, Terminals IP20
Internal Fuse	500mA Resettable
Internal Fuse Recovery Time	>2 Seconds
Max Conductor Size	1 x 2.5 Stranded with sleeves, 1 x 4mm solid
Housing Material	Polycarbonate Red
Mounting & Fixture	35mm DIN Rail
Vibration resistance	Amplitude 2mm, Frequency 10 to 55 HZ
Timer off Delay	0.1 to 27 Seconds adjustable

ROTATION SENSOR	
Part Number	See below
Contact Operating Distance	25mm on 35mm off
Operating Temperature	-10 to +55C
Storage Temperature	-20 to +60C
Enclosure Protection	IP68
Mounting & Fixture	M18
Housing Material	Polycarbonate Red

6) ORDERING INFORMATION

TYPE	DESCRIPTION	PART NUMBER	STOCK CODE
RSR	Rotation Sensing Relay 110VAC	RSR-CU-110VAC	379.000
RSR	M18 Sensor c/w 20 Metre armoured cable	RS-M18-20M	372.030
RSR	M18 Sensor c/w 30 Metre armoured cable	RS-M18-30M	372.033
RSR	M18 Sensor c/w 40 Metre armoured cable	RS-M18-40M	372.031
RSR	M18 Actuator only	RS-M18-ACT	372.039